



Special Features

- Nominal pressure up to 400 kg/cm²
- 8 different adjustable ranges
- Over pressure up to 600 kg/cm²
- Bellow type & piston type models

Application

- Designed to protect pressure instruments from over pressure exceeding the specified pressure range by sudden & excessive pressure fluctuation from surge or spike.
- This device blocks the higher pressure exceeding the allowed value, until it comes back to normal, when system pressure becomes normal.
- Hence this device safeguards the pressure instruments, gauges, switches or transmitters by blocking extra high pressure.
- Widely used in mechanical engineering and plant construction, power stations, mining, environmental technology, chemical and petrochemical, on shore & off shore.

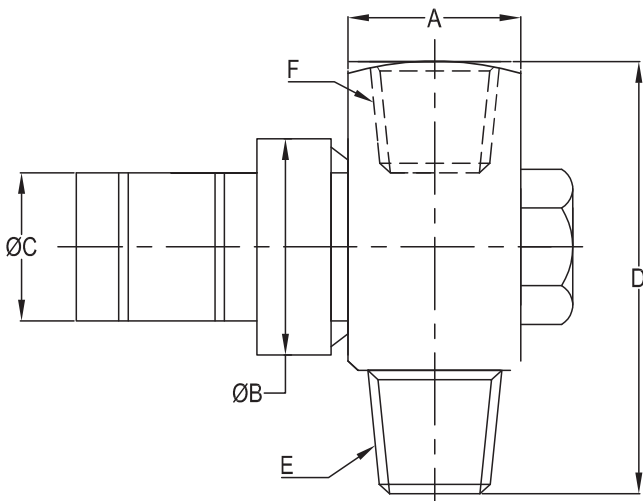
Specifications

Standard Version

Overload Protector Type	:	E01: Bellow Type
	:	E02: Piston Type
Adjustable Range	:	E01: 0.6 kg/cm ² to 0.8 kg/cm ²
	:	E02: 1 kg/cm ² to 400 kg/cm ²
'O' Ring	:	Viton
Maximum Working pressure	:	Max 600 kg/cm ² (Depend upon range selection)
Operating Temperature	:	-20°C to 120°C
Material of construction	:	AISI 316 SS

Dimensions - Standard Version

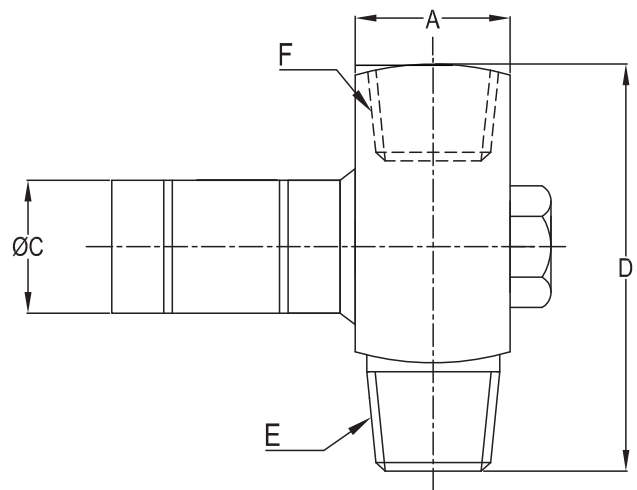
TYPE : E01



A	ØB	ØC	D	F	E	Weight in gram (With Box)
Sq. 27.5 x 28.5	35	24	70	1/2"NPT(F)	1/2"NPT(M)	480

• Dimension "D" will be 73 mm in case of 1/2" BSP (M) connection.

TYPE : E02



A	ØC	D	F	E	Weight in gram (With Box)
Sq. 28	24	70	1/2"NPT(F)	1/2"NPT(M)	460

• Dimension "D" will be 73 mm in case of 1/2" BSP (M) connection.

Notes : • Drawings are not to scale. • All Dimensions are in mm.

• Picture shown above is only for the demonstration purpose only, actual product may differ slightly.

How To Order
Example
Basic Model
Code

ED

Adjustable range

Note: Please specify required pressure range or adjustable pressure range while ordering. Otherwise the protector will be set to first value of adjustable range table. Normally the factory setting is done at 130% of instrument range.

Type	Adjustable Range (kg/cm ² or bar)
Bellow (E01)	0.6 to 0.8
Piston (E02)	1 to 4
Piston (E02)	4 to 6
Piston (E02)	7 to 16
Piston (E02)	10 to 40
Piston (E02)	60 to 80
Piston (E02)	100 to 160
Piston (E02)	200 to 400

Example : If your instrument range is 0 to 10 kg/cm², then considering over pressure of 130%, the gauge saver set point will be at 13 kg/cm². Hence your adjustable range falls in between 7 to 16 kg/cm². Select the gauge saver adjustable ranges accordingly.

For custom ranges, mention the exact set pressure for factory setting.

 E02 : 7 to 16
(Specify Adj. Range)
OR
XXX

Body

CL AISI 316 SS (Standard)	CN Monel	HA Hastelloy C	CM AISI 316L SS
----------------------------------	-----------------	-----------------------	------------------------

XX

Process Connection

3BM.3BF 3/8" BSP (M x F)	4BM.4BF 1/2" BSP (M x F) (Standard)
4MM.4MF M20 x 1.5 (M x F)	4NM.4NF 1/2" NPT (M x F) (Standard)

XXX.XXX

Note : Connections like Metric/ PT/ PF/ Flaired/ UNF/ G/ R etc can be provided on request.

Options

GH Material test certificates**	SG Oxygen service*	TF Conformity as per NACE Standard
--	---------------------------	---

XX

* Applicable for Stainless Steel version.

** Material test certificates will be provided for wetted parts only with chemical composition testing. For others, Please consult factory.

Ordering Example: ED . E02 : 7 to 16 OR XXX . XX . XXX.XXX . XX

For other optional items, please contact factory for delivery and minimum quantity of order.

Note : Specifications and dimensions given in this product catalogue represents the state of engineering at the time of printing.

Modifications may take place and materials specified may be replaced by others without prior notice.